



Grow Your Ideas To Get Better

Seal-less **Magnetic**
Drive Process **Pumps**



www.astronpumpsindia.com

Product Catalogue

Astron Engineering is a family owned company founded in 1995 for the purpose of manufacturing Mechanical seals for Chemical, Food and Beverage, Pharmaceutical, Engineering, Pulp and Paper, Power plant, Textile industries.

In 1995 the concept of using mechanical seal over the gland packing was just starting to gain traction in India and Astron was founded to fill the growing India demand for these Mechanical seal.

In 2018 astonishing industrial automation, we decided to move further and focus our attention to manufacture Magnetic Drive Process pumps. And this is how we have introduced our new product, Magnetic Drive process pump in 2020. Our Manufacturing facility is Located at Kanodar, Gujarat(India) comprising high precision CNC lathe and CNC VMC machines.



Our Vision

We are dedicated to create a unique business policy that achieves success for our customers doing with integrity, respect and with full-depth commitment to provide consistent excellence performance in Magnetic Drive Process Pumps.



Our Mission

Astron's Mission is to provide customers with most cost effective, efficient Magnetic drive pumping solution through technological most reliable product. We will satisfy our Customer, Employees, Stakeholders, Community and Society.



Customer Service

Astron is not just believe in slogan but it is a companywide commitment always remains most importantly customer focus. Astron team member will direct you to specific resource right away to provide a solution that meets technical and commercial requirement. Customer has been a key component to our exceptional customer service.



Our Team

Astron is helmed by founding members with a strong management team commanding extensive industry experience. The leading team comprises of dynamic individuals with passion and dedication and are instrumental in developing the status and profile of the company.

Our continued success depends on every employee, from back-end to the front office. Due to their relentless pursuit of excellence and commitment to high standards, our team has helped translate the Company's goals into substantial accomplishments over the months. Every member of the Astron believes strongly in the vision and core values of the company.

With 25 years of experience in the engineering field, Astron team differentiates itself by complementary services which can provide solutions to your demands in a pump installation of an industry.



Features :

- **Single stage Horizontal Centrifugal pump**
- Pumps designed according to **DIN EN ISO 2858**
- Specially developed **Magnets** for longer life
- **Double bearing cartridge** design for better performance
- Hydraulically **balanced impeller** for **minimum bearing loads**
- Simple modular construction for **ease of maintenance**
- **Back pullout** design to facilitate inspection and maintenance
- High level of **durability and reliability**
- Optional **dry run relay** available
- Options for **leak detection** are available that **eliminate any leakage to environment**



Benefits :

- **As harmful or risky liquids**, exotic liquids, acids, alkalis, corrosives, contaminants and toxics are pumped, **magnetic drive pumps are commonly utilized**.
- Ideal for ultra-pure liquids and liquids that are difficult to seal.
- **To prevent hazardous liquids** from leaking to the surroundings, sealed pumps used in these types of services can leak over time or require complicated, **costly double seals**, which can result in safety hazards, downtime, and **increased maintenance requirements**.
- Very much suitable to liquids which crystallize on mechanical seal faces and causes seal failure. **To avoid this flush system is used which increases cost of maintenance, energy consumption and seal flushing liquids**.
- As there is **no Mechanical seal**, it improves pump performance, reliability and availability of pump.
- **Removing the seals** also prevents the **friction loss, wear, costs and noise**.
- **The magnetic coupling will soften any shock or spike torques**. Even in extreme situations, it will act as a fuse.
- Since the **pump chamber is totally isolated** from the electric motor by a wide air gap, there is virtually **no heat transfer from the electric motor**.

AMPC Series

SS Magnetic Drive Process Pump (Close Coupled)

Specifications

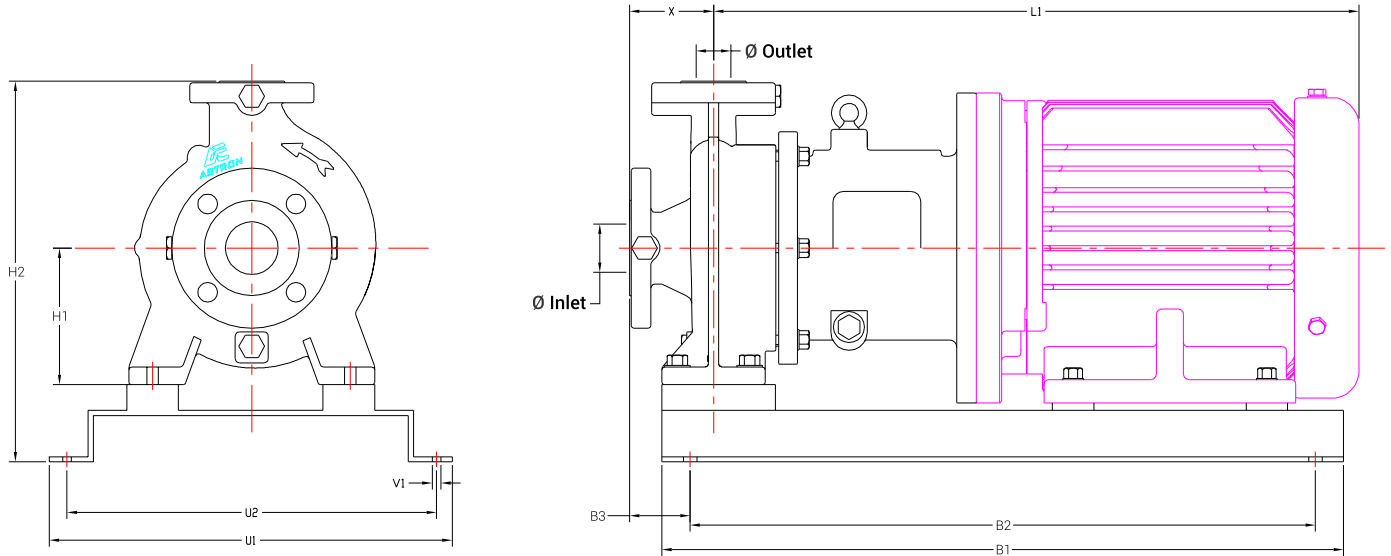
Flow upto	:	max. 100 m ³ /h
Head upto	:	max. 100 metre
Max. Motor power	:	30 HP
Temperature Range	:	-35°C to +250°C
Max. Working Pressure	:	PN16 / PN25
Max. Kinematic Viscosity	:	0.5 to 350 mm ² /s
Solid Handling Range	:	5% hard Solids and 150 microns diameter
Flange Class	:	Class 150 / Class 300
Drive	:	Close Couple
Impeller Type	:	Close
Magnets	:	Ferrite/Rare Earth/Specially Designed



Technical Data Table

Pump Model	2 POLE (2900 RPM)			4 POLE (1450 RPM)		
	Nominal Duty Point		Motor	Nominal Duty Point		Motor
	Q m ³ /h	H m	hp / kw	Q m ³ /h	H m	hp/kw
AMPC 25 x 25-125	4	20	1/0.75	2	5	0.25/0.18
AMPC 32 x 25-125	5	20	1.5/1.1	3	5	0.25/0.18
AMPC 50 x 32-125	12.5	20	3/2.2 - 5/3.7	6.3	5	0.5/0.37
AMPC 65 x 40-125	25	20	5/3.7 - 7.5/5.5	12.5	5	1/0.75
AMPC 80 x 50-125	50	20	7.5/5.5 - 10/7.5	25	5	1.5/1.1
AMPC 32 x 25-150	5	30	2/1.5	3	10	0.5/0.37
AMPC 50 x 32-160	12.5	32	5/3.7 - 7.5/5.5	6.3	8	1/0.75
AMPC 65 x 40-160	25	32	7.5/5.5 - 10/7.5	12.5	8	1.5/1.1
AMPC 80 x 50-160	50	32	12.5/9.3 - 15/11	25	8	2/1.5
AMPC 50 x 32-200	12.5	50	10/7.5 - 12.5/9.3	6.3	12.5	1.5/1.1
AMPC 65 x 40-200	25	50	12.5/9.3 - 15/11	12.5	12.5	2/1.5
AMPC 80 x 50-200	50	50	20/15 - 30/22.5	25	12.5	4/3
AMPC 50 x 32-250	12.5	80	15/11 - 20/15	6.3	20	3/2.2
AMPC 65 x 40-250	25	80	20/15 - 30/22.5	12.5	20	4/3

General Assembly Drawing



Dimension Table

Pump Model	Size Description			Dimension In Millimetres									
	Ø Inlet mm	Ø Outlet mm	Impeller (nominal) mm	Pump				Support					
				X	L1	H1	H2	B1	B2	B3	U1	U2	V1
AMPC 25 x 25-125	25	25	125	82	425	112	340	465	405	62	300	270	Ø16
AMPC 32 x 25-125	32	25	125	82	475	112	340	465	405	62	300	270	Ø16
AMPC 50 x 32-125	50	32	125	80	665	112	338	604	554	46	338	308	Ø16
AMPC 65 x 40-125	65	40	125	80	665	112	338	604	554	46	338	308	Ø16
AMPC 80 x 50-125	80	50	125	100	700	132	380	650	600	50	338	308	Ø16
AMPC 32 x 25-150	32	25	150	82	475	112	340	465	405	62	300	270	Ø16
AMPC 50 x 32-160	50	32	160	80	665	132	380	604	554	46	338	308	Ø16
AMPC 65 x 40-160	65	40	160	80	665	132	380	604	554	46	338	308	Ø16
AMPC 80 x 50-160	80	50	160	100	800	160	430	650	600	50	338	308	Ø16
AMPC 50 x 32-200	50	32	200	80	720	160	430	700	675	50	350	320	Ø16
AMPC 65 x 40-200	65	40	200	100	800	160	430	700	675	50	350	320	Ø16
AMPC 80 x 50-200	80	50	200	100	900	160	470	750	700	50	450	410	Ø16
AMPC 50 x 32-250	50	32	250	100	800	180	490	700	675	50	400	370	Ø16
AMPC 65 x 40-250	65	40	250	100	850	180	500	750	700	50	450	410	Ø16

AMPB Series

SS Magnetic Drive Process Pump (Long Coupled)

Specifications

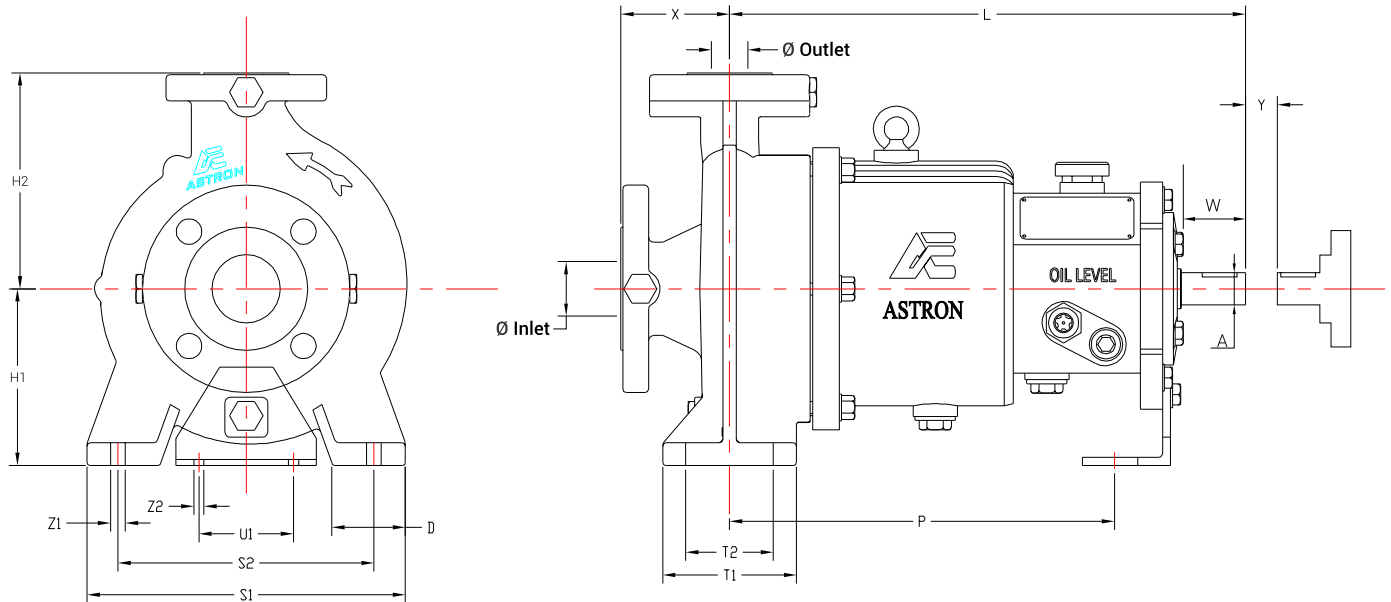
Flow upto	:	max. 100 m ³ /h
Head upto	:	max. 100 metre
Max. Motor power	:	60 HP
Temperature Range	:	-35°C to +250°C
Max. Working Pressure	:	PN16 / PN25
Max. Kinematic Viscosity	:	0.5 to 350 mm ² /s
Solid Handling Range	:	5% hard Solids and 150 microns diameter
Flange Class	:	Class 150 / Class 300
Drive	:	Long Couple
Impeller Type	:	Close
Magnets	:	Ferrite/Rare Earth/Specially Designed



Technical Data Table

Pump Model	2 POLE (2900 RPM)			2 POLE (2900 RPM)		
	Nominal Duty Point		Motor	Nominal Duty Point		Motor
	Q m ³ /h	H m	hp / kw	Q m ³ /h	H m	hp/kw
AMPB 25 x 25-125	4	20	1/0.75	2	5	0.25/0.18
AMPB 32 x 25-125	5	20	1.5/1.1	3	5	0.25/0.18
AMPB 50 x 32-125	12.5	20	3/2.2 - 5/3.7	6.3	5	0.5/0.37
AMPB 65 x 40-125	25	20	5/3.7 - 7.5/5.5	12.5	5	1/0.75
AMPB 80 x 50-125	50	20	7.5/5.5 - 10/7.5	25	5	1.5/1.1
AMPB 100 x 65-125	100	20	12.5 / 9.3	50	5	3 / 2.2
AMPB 32 x 25-150	5	30	2/1.5	3	10	0.5/0.37
AMPB 50 x 32-160	12.5	32	5/3.7 - 7.5/5.5	6.3	8	1/0.75
AMPB 65 x 40-160	25	32	7.5/5.5 - 10/7.5	12.5	8	1.5/1.1
AMPB 80 x 50-160	50	32	12.5/9.3 - 15/11	25	8	2/1.5
AMPB 100 x 65-160	100	32	20 / 15	50	8	5 / 3.7
AMPB 50 x 32-200	12.5	50	10/7.5 - 12.5/9.3	6.3	12.5	1.5/1.1
AMPB 65 x 40-200	25	50	12.5/9.3 - 15/11	12.5	12.5	2/1.5
AMPB 80 x 50-200	50	50	20/15 - 30/22.5	25	12.5	4/3
AMPB 100 x 65-200	100	50	40 / 30	50	12.5	7.5 / 5.5
AMPB 50 x 32-250	12.5	80	15/11 - 20/15	6.3	20	3/2.2
AMPB 65 x 40-250	25	80	20/15 - 30/22.5	12.5	20	4/3
AMPB 80 x 50-250	50	80	50 / 37	25	20	7.5 / 5.5
AMPB 100 x 65-250	100	80	60 / 45	50	20	10 / 7.5

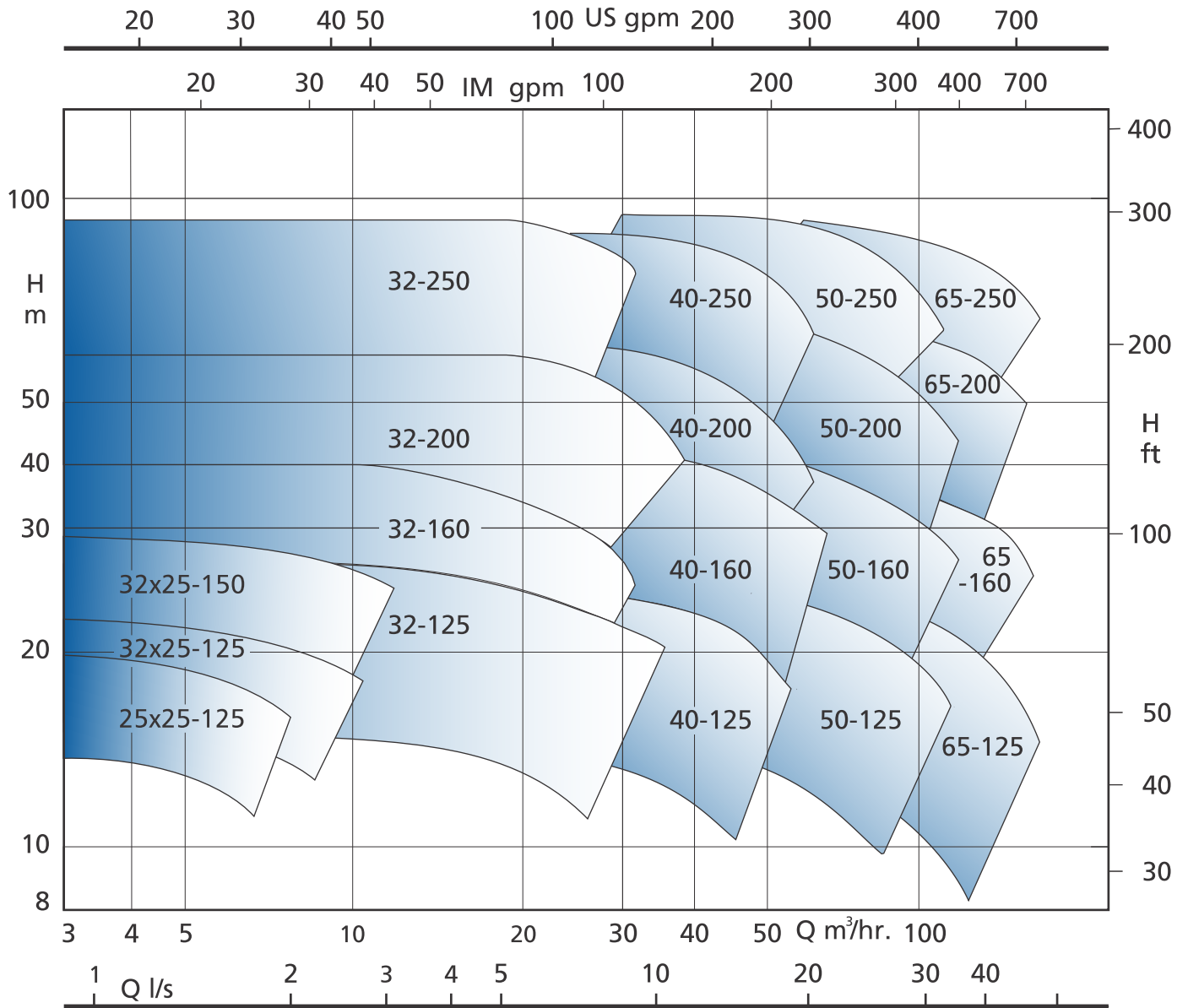
General Assembly Drawing



Dimension Table

Pump Model	Size Description			Dimension In Millimetres															
	\varnothing Inlet mm	\varnothing Outlet mm	Impeller (nominal) mm	Pump				Support							Clearance Holes For Bolts		Shaft End		
				X	L	H1	H2	D	T1	T2	S1	S2	U1	P	Z1	Z2	A	W	Y
AMPB 25 x 25-125	25	25	125	80	332	112	142	50	100	80	190	140	50	270	M12	M12	20	35	15
AMPB 32 x 25-125	32	25	125	80	332	112	142	50	100	80	190	140	50	270	M12	M12	20	35	15
AMPB 50 x 32-125	50	32	125	80	385	112	140	50	100	70	190	140	110	285	M12	M12	24	50	100
AMPB 65 x 40-125	65	40	125	80	385	112	140	50	100	70	210	160	110	285	M12	M12	24	50	100
AMPB 80 x 50-125	80	50	125	100	385	132	160	50	100	70	240	190	110	285	M12	M12	24	50	100
AMPB 100 x 65-125	100	65	125	100	385	160	180	65	125	95	280	212	110	285	M12	M12	24	50	100
AMPB 32 x 25-150	32	25	150	80	332	112	142	50	100	80	190	140	50	270	M12	M12	20	35	15
AMPB 50 x 32-160	50	32	160	80	385	132	160	50	100	70	240	190	110	285	M12	M12	24	50	100
AMPB 65 x 40-160	65	40	160	80	385	132	160	50	100	70	240	190	110	285	M12	M12	24	50	100
AMPB 80 x 50-160	80	50	160	100	385	160	180	50	100	70	265	212	110	285	M12	M12	24	50	100
AMPB 100 x 65-160	100	65	160	100	500	160	200	65	125	95	280	212	110	370	M12	M12	32	80	100
AMPB 50 x 32-200	50	32	200	80	385	160	180	50	100	70	240	190	110	285	M12	M12	24	50	100
AMPB 65 x 40-200	65	40	200	100	385	160	180	50	100	70	265	212	110	285	M12	M12	24	50	100
AMPB 80 x 50-200	80	50	200	100	385	160	200	50	100	70	265	212	110	285	M12	M12	24	50	100
AMPB 100 x 65-200	100	65	200	100	500	180	225	65	125	95	320	250	110	370	M12	M12	32	80	140
AMPB 50 x 32-250	50	32	250	100	500	180	225	65	125	95	320	250	110	370	M12	M12	32	80	100
AMPB 65 x 40-250	65	40	250	100	500	180	225	65	125	95	320	250	110	370	M12	M12	32	80	100
AMPB 80 x 50-250	80	50	250	125	500	180	225	65	125	95	320	250	110	370	M12	M12	32	80	100
AMPB 100 x 65-250	100	65	250	125	500	200	250	80	160	120	360	280	110	370	M16	M12	32	80	140

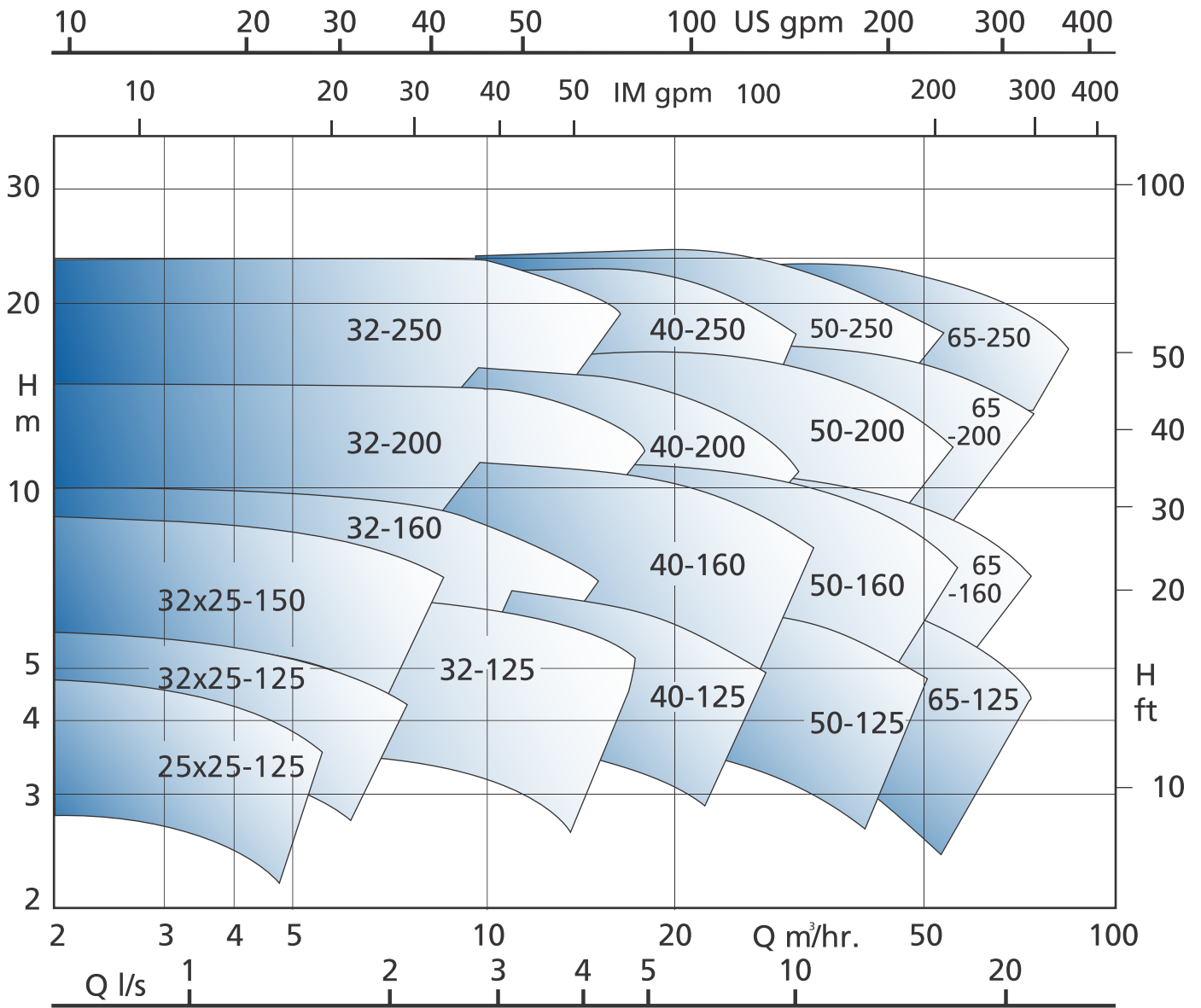
2 POLE - 2900 RPM



Application

- Acid/Base Pumps
- Chemical Feed/Process/Transfer Pumps
- Hot Oil Pumps
- High/Low Temperature pumps
- Coolant Pumps
- High Purity Water Pumps
- Pharma Liquid/Solution Pump
- Solvent Transfer
- Boiler Feed Pump
- Desalination Pumps
- Caustic Pumps
- Pesticides Pumps
- Fertilizer Pump

4 POLE - 1450 RPM



Industries We Serve



Chemical Industry

Pharmaceutical Industry

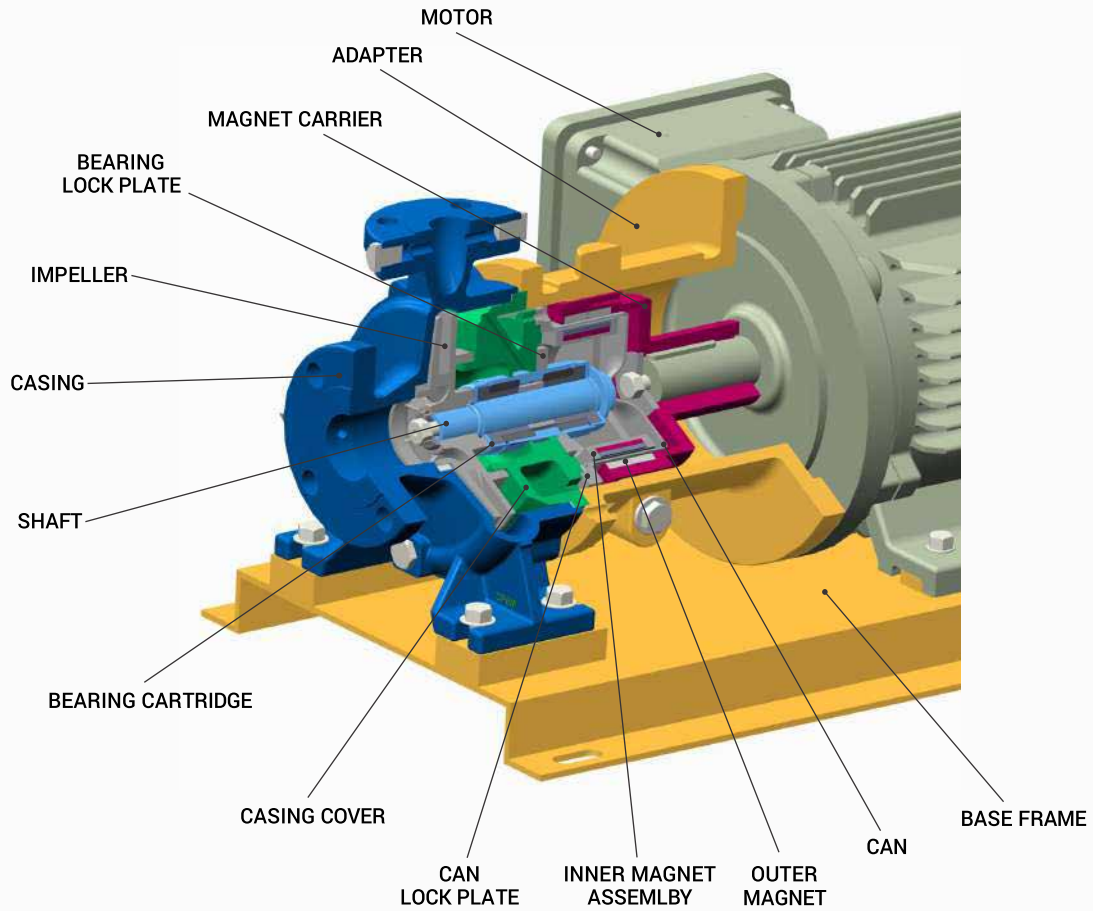
Food & Beverage Industry

Water & Wastewater Industry

Paper & Pulp Industry

Agrochemical Industry

AMPC Series Model



List Of Components With MOC

Item	Description	Material
1	CASING	SS304 / SS304L / SS316 / SS316L DUPLEX ALLOY / HASTELLOY
2	IMPELLER	
3	CASING COVER	
4	SHAFT	SS304 / SS316 / SS316L
5	BEARING CARTRIDGE	SIC + TC +TC + SS316
6	CAN	SS316L / HAST-C
7	INNER MAGNET ASSEMBLY	FERRITE & SPECIAL MAGNET
8	OUTER MAGNET	FERRITE & SPECIAL MAGNET
10	BEARING LOCK PLATE	SS304 / SS316
11	CAN LOCK PLATE	SS304 / SS316
12	MAGNET CARRIER	CI / WPS
13	ADAPTER	CI / WPS
14	BASE FRAME	MS
15	MOTOR	CROMPTON / ABB / AS PER CLIENT REQUIREMENT
	GASKET	PTFE
	FASTENERS	SS304 / SS316 / SS316L





ACME ENGINEERING INDUSTRIES

82, Ashokpura, Near Dudheshwar Cross Road,
Dudheshwar, Ahmedabad 380004, Gujarat,
INDIA

Office : +91 79 256 256 15

Mobile : +91 - 98258 53444, +91 - 9510 6269 45

Email : info@acmepumpindia.com
sales.acmepump@gmail.com

Website : www.acmepumpindia.com

